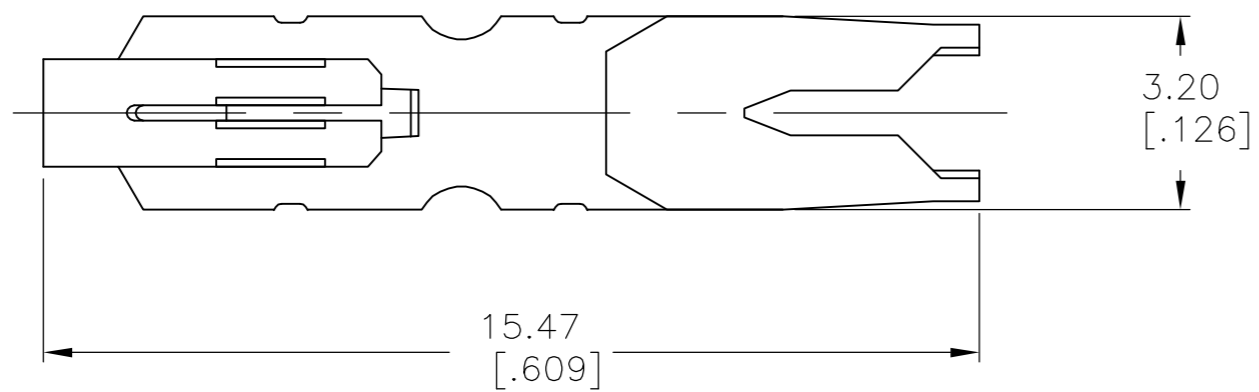


THIS DRAWING IS UNPUBLISHED. RELEASED FOR PUBLICATION
 © COPYRIGHT BY TYCO ELECTRONICS CORPORATION. ALL RIGHTS RESERVED.

LOC	DIST	REVISIONS					
		P	LTR	DESCRIPTION	DATE	DWN	APVD
CM	00	C		EC 0G3B 0202 05	30JUL05	BSV	DB

1. DIMENSIONS IN BRACKETS ARE IN INCHES.



3-640991-1
 PART NO.

THIS DRAWING IS A CONTROLLED DOCUMENT.		DWN	T.BECK	01NOV91	 Tyco Electronics Corporation Harrisburg, Pa 17105-3608
DIMENSIONS: mm [INCHES]		CHK	R.SWING	01NOV91	
TOLERANCES UNLESS OTHERWISE SPECIFIED:		APVD	G.MILLER	04NOV91	
0 PLC ± - 1 PLC ± - 2 PLC ± - 3 PLC ± 0.13[.005] 4 PLC ± - ANGLES ± -		PRODUCT SPEC	NAME		
MATERIAL		APPLICATION SPEC		CONTACT, 18 AWG WIRE, LOOSE PIECE, EDGE CONNECTOR, MTA 156	
0.30 [.012] THK COPPER ALLOY		FINISH		SIZE	
		0.00203 [.000080] MIN THK TIN		CAGE CODE	
				DRAWING NO	
				A2 00779 C=640991	
		WEIGHT		RESTRICTED TO	
		-		-	
		CUSTOMER DRAWING		SCALE	
				8:1	
				SHEET	
				1 OF 1	
				REV	
				C	

